

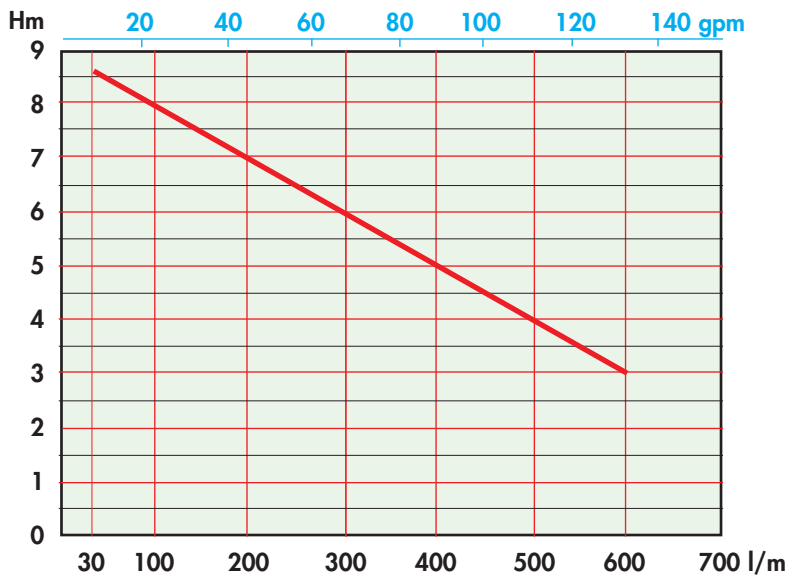
SEMISOM 650L

Guiderail submersible pump for dirty water and sewage

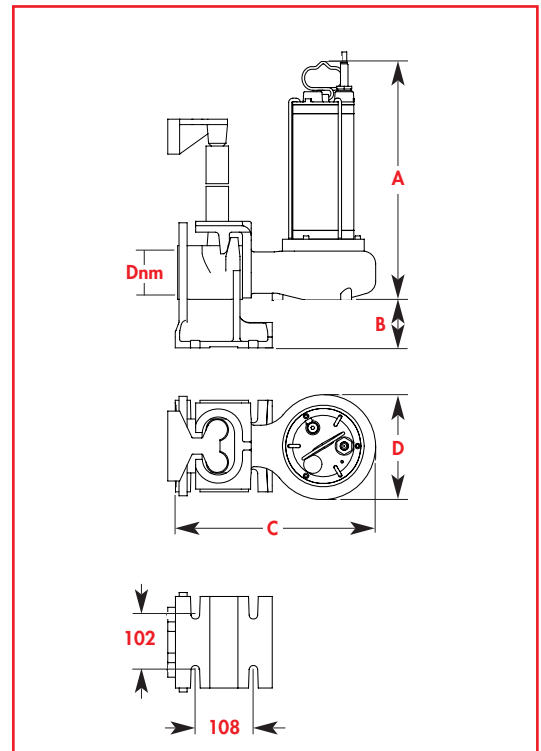
Available in 230V single phase and 400V three phase models, Semison 650L submersible pumps have been designed for guiderail installation only, on dirty water and sewage type applications.

They feature vortex impellers providing a 65mm dia. solids handling capability.

- Nominal 1.5kW (2HP)
- 240V = 12Amp - 400V = 6Amp
- Graphite/Ceramic Mechanical seal
- Coolant filled asynchronous motor
- Cast iron/Stainless construction
- 10 metre cable as standard
- 31.5µF Capacitor box for 230V option
- Optional float switch on single phase version
- Weight only 22 Kg.
- Max. 35°C continuous - 45°C intermittent
- Max. 20 starts per hour • Max. immersion 20m



MODEL	NOMINAL		NOM AMP	DIMENSIONS mm				
	kW	HP		A	B	C	D	Dnm
650LM	1.50	2.0	12.0	445	89	370	195	2½"
650LT	1.50	2.0	4.6	445	89	370	195	2½"



© Descriptions, technical data and features contained in this leaflet are not binding. We reserve the right to make any necessary modifications without prior notice.

